

ES2000 Rocker Control Installation for Hydraulic Systems



PN: ES2000

For more information on a complete hydraulic trim tab system, please visit BennettTrimTabs.com/Hydraulic

Installation Instructions

Items Included

- Hydraulic Rocker Control
- (4) #8 screws
- (4) Ring terminals

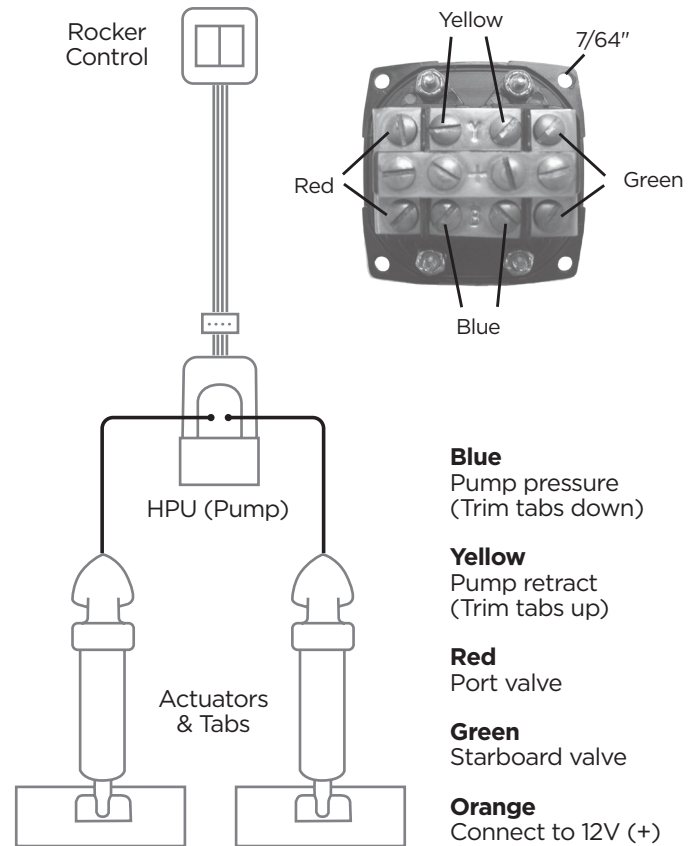
Tools Required

- Power drill
- 7/64" Drill bit
- 2.5" Hole saw

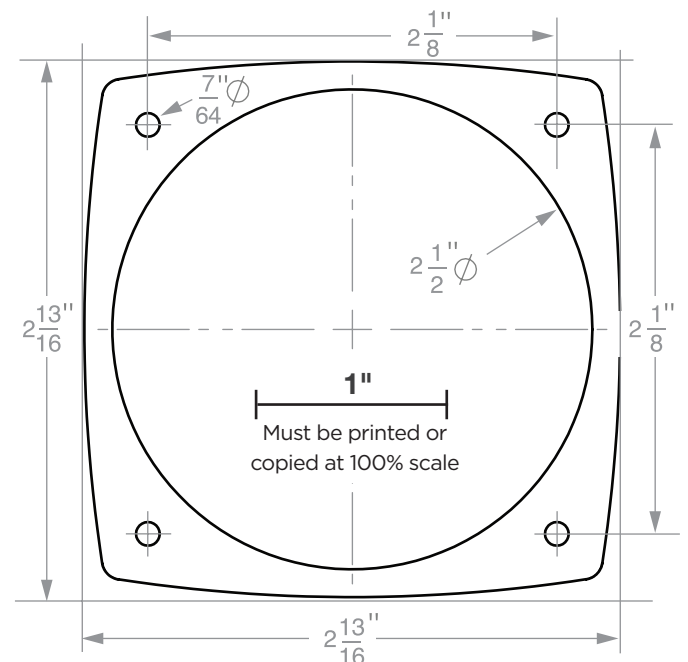
- Before drilling any holes, read the entire instructions.
- Unsnap the bezel from the control. Using the bezel locate the position for the control at the helm. Check carefully to make sure there are no obstructions behind the dashboard before drilling any holes.
- The bezel requires a footprint of 2-13/16" x 2-13/16". Cut a 2-1/2" hole in the center of the footprint using a hole saw.
- Pull the wire harness up through the hole and attach it to the back of the control with the ring terminals enclosed. Please make sure that the gasket is in place with the flat side down before attaching wires to the control. There are two screws for each wire. (The wire can be attached to either screw.) The brass strip is marked with the first letter of that color of the wire. All 12 screws must be in place and snug for proper control function.
- Mark the four locations for the 7/64" pilot holes and drill. Test fastening with the #8 screws. Open the holes to 1/8" if necessary.
- Place the wire harness and switch in the hole with yellow connections at top. Secure the switch plate assembly with the enclosed #8 screws. Be sure the switch is properly seated and snap bezel onto switch plate assembly.
- **Note:** The bezel will secure completely when BOW DOWN is at the top and the switch plate assembly is mounted with the top and bottom in proper position (yellow connections at top).

Have questions? We're here to help.
Visit BennettTrimTabs.com or call (954)427-1400.

Wiring Diagram

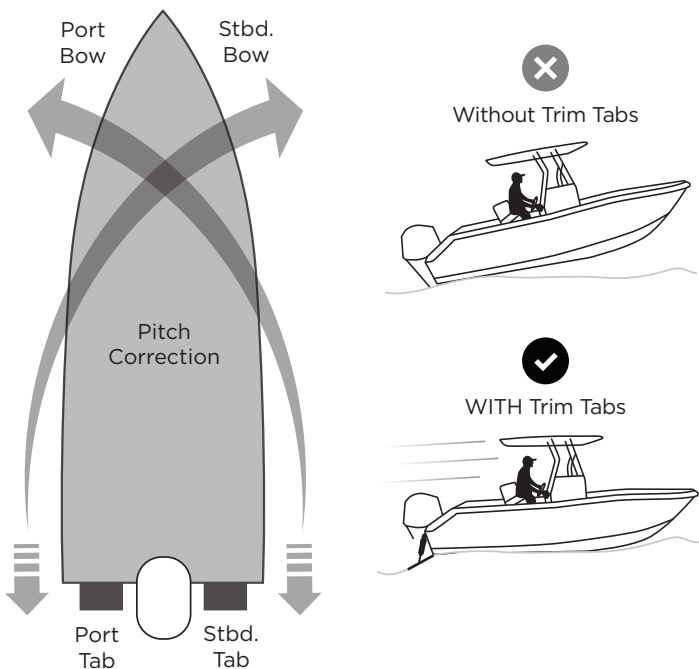


Drilling Template



Properly sized trim tabs improve the performance of your boat by adjusting the running angle of your vessel. Bennett Marine trim tabs help you get on plane faster, correct listing, improve visibility, and increase your fuel efficiency and performance.

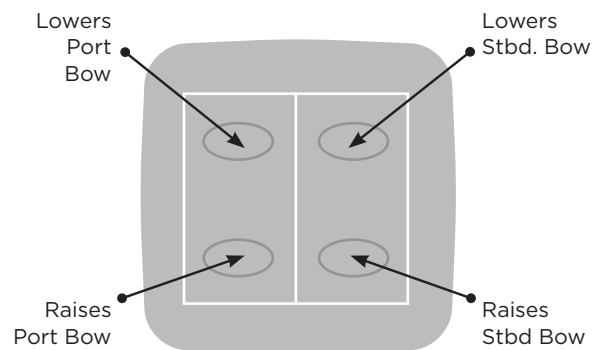
How Trim Tabs Work



When the tabs are deployed downward, the water force on the trim tab surface creates upward pressure, raising the stern and lowering the bow. The port trim tab lowers the starboard bow, and the starboard trim tab lowers the port bow.

- Get up on plane quickly, and at lower speeds
- Increase performance and fuel efficiency
- Increase visibility and safety
- Adjust the boat's attitude for changes in speed, sea conditions, and shifting weight
- Correct listing and porpoising

Operating the Rocker Control



Trim tabs are easy to use and after just a few times using will become second nature. The concept is simple but the results are impressive.

Making Small Adjustments

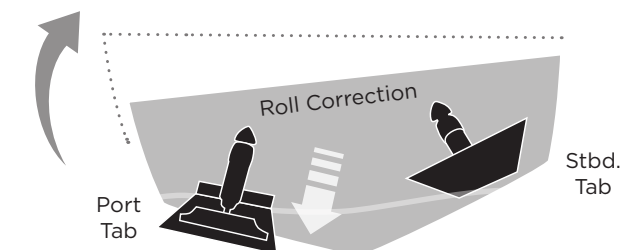
The key to getting the best results from your trim tabs is to operate them in short half-second "bursts" and let the boat react before making another adjustment. The amount of time between corrections is influenced by the size of the trim tabs and the boat's speed.

Learn More About Trim Tabs



Learn more about trim tabs at BennettTrimTabs.com/Guide

- Key features & benefits
- System comparison
- Sizing guidelines
- Install tips, and more



When the port tab is lowered independently, an upward force at the port stern of the boat is created. The inverse applies when lowering the starboard tab independently.

Have questions? We're here to help. Visit BennettTrimTabs.com or call (954)427-1400.