

# FISHING ACCESSORIES 17

## ROD HOLDERS

Tube Inserts .....	17.02, 17.04
Plastic.....	17.02
Stainless Steel .....	17.03
Stainless Steel with Cap & Insert ...	17.03 - 17.04
Raw Cast Aluminium .....	17.04
Aluminium with with Cap & Insert.....	17.04
Weld-On Stainless or Aluminium.....	17.05
Rail Mount .....	17.05
Rod Holder Mount .....	17.06
Storage Racks.....	17.06
Rocket Launchers .....	17.07

## BAIT BOARDS & ACCESSORIES

Bait Boards.....	17.08 - 17.11
Camping Table with Sink .....	17.11

## STORAGE

Storage Bins & Boxes .....	17.12
Plastic Anchor Wells.....	17.12
Seat Base with Tackle Locker .....	17.13
Berley Buckets .....	17.13
Berley Munchers .....	17.13
Buckets .....	17.13

## POLYSTYRENE FLOATS

Crab Floats .....	17.13
Round Floats.....	17.13

## OUTRIGGERS & POT HAULERS

Outrigger Bundles .....	17.14
Pot Haulers .....	17.14 - 17.15



## Rod Holder Tube Insert Caps

UV-stabilised with glossy finish, ideal for rocket launcher racks, etc.

- Finishes the metal tube neatly, saving rods from damage.



Part No.	Colour	O.D. (mm)	I.D. (mm)	Max Tube Wall Thickness (mm)
JPW6020	Black	50.8 (2")	43	1.5
JPW6021	Dark Grey	50	39	3

## Side Mount Rod Holders - Plastic

Side mount rod holders can fit on any flat surface, available in black or white. Order in bulk or single packaged.

- Holes width apart: 60mm
- Holes length apart: 50mm
- Six 5mm countersunk fastening holes.



Part No. Bulk	Part No. Packaged	Colour	Shaft I.D. (mm)	Length (mm)	Mount Area (mm)
JPW6006B	JPW6006P	Black	43	235	135 x 70
JPW6007B	JPW6007P	White	43	235	135 x 70

## Flush Angled Oval Head Rod Holders - Plastic

Oval head rod holders made from UV-stabilised polypropylene. 30° angle shaft, moulded internal rod gimbal.

- Four 5mm countersunk fastening holes.



Part No. Bulk	Part No. Packaged	Colour	Shaft I.D. (mm)	Length (mm)	Head Size (mm)	Cut-out (mm)
JPW6002B	JPW6002P	White	44	210	110 x 85	50
JPW6003B	JPW6003P	Black	44	210	110 x 85	50

## Flush Straight Rectangle Head Rod Holders - Plastic

Narrow rectangle head rod holders made from UV-stabilised polypropylene. Flush mount with bevelled edge, straight shaft and moulded internal rod gimbal.

- Four 5mm countersunk fastening holes



Part No. Bulk	Part No. Packaged	Colour	Shaft I.D. (mm)	Length (mm)	Head Size (mm)	Cut-out (mm)
JPW6000B	JPW6000P	White	44	230	90 x 60	50
JPW6001B	JPW6001P	Black	44	230	90 x 60	50

## Flush Angled Rectangle Head Rod Holders - Plastic

Narrow rectangle head rod holders in UV-stabilised polypropylene. Flush mount with bevelled edge, 30° shaft, moulded internal rod gimbal.

- Four 5mm countersunk fastening holes.



Part No. Bulk	Part No. Packaged	Colour	Shaft I.D. (mm)	Length (mm)	Head Size (mm)	Cut-out (mm)
JPW6004B	JPW6004P	Black	44	230	90 x 60	50
JPW6005B	JPW6005P	White	44	230	90 x 60	50

## Oval Flush Mount Rod Holders with PVC Cap

30° angle oval head rod holders come complete with PVC cap and mounting gasket.

- Three 5mm countersunk fastening holes.



Part No.	Colour	Shaft I.D. (mm)	Length (mm)	Head (mm)	Cut-out (mm)
JPW6023	Black	46	200	105 x 85	50
JPW6024	White	46	200	105 x 85	50

### Rod Holders - Stainless Steel

Stainless steel 304 grade rod holders, spot welded collar with a slimline rectangle head and welded rod gimbal pin through shaft.

- Straight head or 15deg angled head.
- 6mm countersunk fastening holes.



JPW5947

JPW5946

Part No.	Head Angle	Shaft I.D. (mm)	Length (mm)	Head (mm)	Cut-out (mm)
JPW5946	Straight	41	199	90 x 65	45
JPW5947	15° Angled	41	195	80 x 60	50

### Heavy Duty Slimline Rod Holders - Stainless Steel



"Game Rated" heavy duty rod holder manufactured from 316-grade stainless steel, hand polished with a slimline rectangle head.

- Rod gimbal pin through shaft.
- 5mm countersunk fastening holes.



JPW5967

JPW5969

Part No.	Shaft Type	Shaft I.D. (mm)	Length (mm)	Head (mm)	Cut-out (mm)
JPW5967	30° Angled	41	230	85 x 60	45
JPW5969	Straight	41	205	85 x 60	45

### Heavy Duty Rod Holders - Stainless Steel

Made from 316-grade stainless steel with a welded rectangle head. Heavy duty to handle all conditions.

- Rod gimbal pin through shaft.
- 5mm countersunk fastening holes.



JPW6018

JPW6019

Part No.	Shaft Type	Shaft I.D. (mm)	Length (mm)	Head (mm)	Cut-out (mm)
JPW6018	15° Angled	41	215	80 x 60	51
JPW6019	Straight	41	215	80 x 60	51

### Heavy Duty Rod Holders with PVC Insert and Drain - Stainless Steel

Flush mounted highly polished 316-grade stainless steel with oval head and black PVC shaft insert.

- Welded solid all the way around to the shaft for added strength.
- 7mm countersunk fastening holes.



Closed base with drainage hole



JPW5932

JPW5933

JPW5934

Part No.	Shaft Type	Shaft I.D. (mm)	Length (mm)	Head (mm)	Cut-out (mm)
JPW5932	15° Angled	41	190	106 x 90	50
JPW5933	30° Angled	41	190	106 x 90	50
JPW5934	Straight	41	205	106 x 90	50



**Flush Mount Rod Holder with PVC Insert - Stainless Steel**

304-grade polished flush mount, 30° angled stainless steel. Complete with PVC insert, rubber gasket and solid stainless steel rod gimbal pin.

- 6mm countersunk fastening holes.

**JPW5849**  
Bezel Accent Ring  
with Blue LED



Part No.	Shaft I.D. with insert (mm)	Length (mm)	Head Size (mm)	Cut-out (mm)
JPW5948	38	230	110 x 85	50

**Flush Mount Rod Holder with PVC Cap and Insert - Stainless Steel**

Cast 316-grade heavy duty stainless steel 30° angled rod holder. Complete with rubber gasket and PVC insert. Tube and cast head completely welded. 6mm gimbal pin in base of tube.

- 6mm countersunk fastening holes.

**JPW5849**  
Bezel Accent Ring  
with Blue LED



Part No.	Shaft I.D. with insert (mm)	Length (mm)	Head Size (mm)	Cut-out (mm)
JPW5950	40	220	105 x 85	50

**Rod Holder Straight Head with Cap & Insert - Stainless Steel**

Polished 316-grade stainless steel flush mount rod holder with a straight head.

- Complete with rubber gasket, shaft insert and cap.
- Solid stainless steel gimbal pin through shaft.
- 8mm countersunk fastening holes.



Part No.	Shaft I.D. with insert (mm)	Length (mm)	Head Size (mm)	Cut-out (mm)
JPW5952	41	210	115 x 90	51

**PVC Insert and Cap Replacements for 30deg Angled Rod Holders**

PVC rod holder insert replacement featuring a cover top cap.

- Suits rod holders JPW5948, JPW5950 and JPW6028.



Part No.	Colour	Shaft O.D (mm)	Shaft I.D. (mm)	Length (mm)
JPW5943	White	47	41	215
JPW5943B	Black	47	41	215

**Cast Head Rod Holders and Rubber Cap - Stainless Steel**

Cast 316-grade heavy duty stainless steel rod holder. Complete with black rubber cap, mounting gasket and insert. Internal rod gimbal welded into tube base.

- Angled or straight mount option.
- 8mm countersunk fastening holes.



**JPW6028**      **JPW6029**

Part No.	Shaft Type	Shaft I.D. with insert (mm)	Length (mm)	Head (mm)	Cut-out (mm)
JPW6028	30° Angle	40	200	113 x 90	50
JPW6029	90° Straight	40	200	110 x 85	50

**Rod Holder Raw Cast Aluminium Weld-In 30deg Angled Head**

Raw cast aluminium weld-on rod holder with 30 degree angled head.

- Ideal for boat builders.
- Welded stainless gimble pin in tube base.



Part No.	Shaft I.D. (mm)	Head Size (mm)	Cut-out (mm)	Length (mm)
JPW5955	41	105 x 85	52	220

### Weld-On Rod Holder with Side Bracket - Anodised Aluminium

Weld-on rod holder constructed from marine grade aluminium with anodised finish.

- Internal tube is fitted with a white PVC insert and weld-in rod gimbal pin.



Part No.	Shaft I.D. (mm)	Tapered Head I.D. (mm)	Length (mm)
JPW5966	40	49	250

### Weld-On Rod Holders - Aluminium Satin or Brushed Finish

Tapered and flared design, made from marine grade aluminium with satin or brushed finish. Ideal for build your own rocket launchers and baitboards.

- 3mm wall thickness tube
- Supplied with white vinyl insert.
- Rod gimbal screwed into the base.



JPW6014 JPW6016

Part No.	Finish	Shaft I.D. (mm)	Tapered Head I.D. (mm)	Length (mm)
JPW6014	Satin	40	50	255
JPW6016	Brushed	40	50	255

### Weld-On Rod Holders - Stainless Steel Polished or Brushed Finish

Tapered and flared design, made from 316-grade stainless steel with highly-polished or brushed finish. Ideal for build your own rocket launchers and baitboards.

- 2mm wall thickness tube.
- Supplied with white vinyl insert.
- Rod gimbal screwed into the base.



JPW6017 JPW6017P

Part No.	Finish	Shaft I.D. (mm)	Tapered Head I.D. (mm)	Length (mm)
JPW6017	Polished	40	50	250
JPW6017P	Brushed	40	50	250

### Rod Holder with Clamp-On Adjustable Rail Mount - Stainless Steel

Polished 316-grade stainless steel with an adjustable clamp-on rail mount bracket. Includes white PVC inserts to protect your rod and mounting rail.

- Welded in rod gimbal pin through shaft.
- Suits 25mm or 32mm rails.



360° rotation with adjustable teeth



Part No.	Shaft I.D. (mm)	Length (mm)
JPW5937	40	250

### Rod Holder Adjustable Rail Mount - Stainless Steel

Polished 316-grade stainless steel with an adjustable clamp-on rail mount bracket.

- Includes black PVC insert with solid base to protect your rod.
- Suits 25mm or 32mm rails.



360° rotation with adjustable teeth

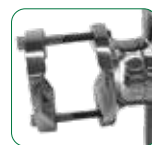


Part No.	Shaft I.D. (mm)	Length (mm)
JPW5938	41	235

### Rod Holder Adjustable Rail Mount - Stainless Steel

Polished 316-grade stainless steel with an adjustable clamp-on rail mount bracket.

- Includes white PVC insert to protect your rod.
- Welded in rod gimbal pin through shaft.
- Two sizes to suit different sized rails.



360° rotation with adjustable teeth



Part No.	Suits Rails (mm)	Shaft I.D. (mm)	Length (mm)
JPW5935	25 - 50	43	260
JPW5936	19 - 25	43	260

### Quick Release Triple Rod Holder

Triple configuration with centre leg to fit existing standard rod holders.

- Quick release enables line tensions to be maintained when removing rod after hook up.
- Removable and folds away easily for storage.
- Rod holders shaft internal diameter: 36mm

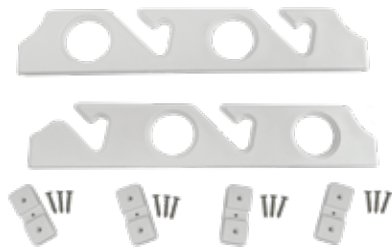


Part No.	Shaft Dia (mm)	Total Height (mm)	Total Width (mm)
JPW5103	36mm	540	460

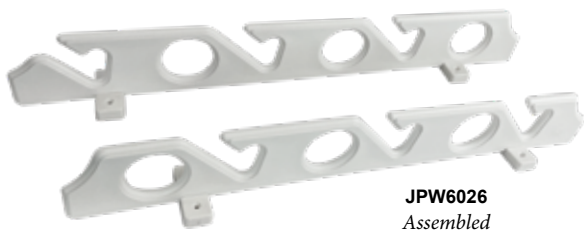
### Rod Storage Racks - White Plastic

White plastic rod storage racks with upper and lower brackets that screw to back deck/roof area.

- Pack includes 2x holders, 4x brackets and 12x countersunk screws.



JPW6025  
Flat Packed



JPW6026  
Assembled

Part No.	Type	Dimensions L x W (mm)
JPW6025	4 Rods	390 x 75
JPW6026	6 Rods	550 x 75

### Viper Pro Deluxe Rod Racks Side Mount



Deluxe rod holder rack made from 316-grade stainless steel with nylon top caps.

- 10mm mounting bar for side mount.
- 42mm internal diameter tube with welded gimbal pins and rolled bottoms.



JPW12893



JPW12892



JPW12891

Part No.	No. of Racks	Dimensions L x W x H (mm)
JPW12893	2 Rod Rack	180 x 85 x 250
JPW12892	4 Rod Rack	500 x 85 x 250
JPW12891	6 Rod Rack	715 x 85 x 250

### Tournament Series Rod Holder Racks

Made from 316-grade stainless steel, strong and durable, these racks can attach anywhere on a boat with only a few screws.

- Shaft internal diameter: 40mm



JPW5970



JPW5971

Part No.	No. of Racks	Dimensions L x H (mm)
JPW5970	3 Rod Rack	300 x 220
JPW5971	4 Rod Rack	420 x 220

### Rod Rack Bracket with 4 Holders

Made from marine grade stainless steel and is durable in all conditions.

- Fit anywhere with just a few screws.
- Rod holder shaft internal diameter: 44mm



Part No.	Overall Length (mm)
JPW5974	930



### Hardtop Rod Rack Rocket Launchers

Constructed from 25mm 316 grade stainless steel, hand polished mirror finish with adjustable feet to make installation easier when mounting on hard tops with a slant or angle.

- 6 rod holders (42mm I.D) and 4 mounting brackets for accessories.
- Pre-drilled tubes for internal wiring.
- All fixing hardware and tube ends supplied.



Part No.	Width (m)
JPW5975	1.43
JPW5976	1.70



Adjustable feet

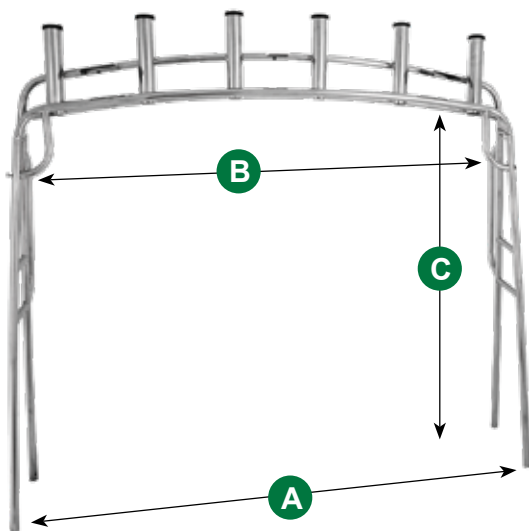
### Universal Rod Rack Rocket Launchers

3 piece design manufactured to eliminate stress points and potential cracking. Features bimini mounting rail and built-in rear grab rails.

- 25mm 316-grade stainless steel, hand polished mirror finish.
- 6 rod holders (42mm I.D) and 4 mounting brackets for accessories.
- Pre-drilled tubes for internal wiring.
- All fixing hardware and tube ends supplied.



Adjustable feet



Part No.	Size	Dimensions (m)		
		A	B	C
JPW5978	Small	1.6 - 1.8	1.5	1.26
JPW5979	Medium	1.8 - 2.0	1.7	1.26
JPW5980	Large	2.2 - 2.2	1.9	1.26

### Oceansouth Clamp On Rocket Launcher



Fixes easily to existing bimini tops or canopies via aluminium double knuckle clamps.



- Anodized aluminium frame
- 25mm tubing with double wall thickness.
- 6 high-impact noncorrosive polymer rod holders with metallic finish.
- Can be trimmed to suit.



Part No.	Min Width (m)	Max Width (m)	Max Height (m)
JPW11290	1.2	1.9	1

### Oceansouth Free Standing Rocket Launcher



Featuring unique universal mounts. Bevelled base mounts allow for a variety of mounting positions and rear thumb screws enable to fold the rod rack down.

- Anodised aluminium frame, 25mm tubing with double wall thickness.
- 6 high-impact noncorrosive polymer rod holders with metallic finish.
- All connectors and mounts made from marine grade nylon.
- Crossbars can be used to mount equipment.



Part No.	Max Width (m)	Max Mounting Width (m)	Max Height (m)
JPW11292	1.9	2.4	1.64

## Bait Boards - Rod Holder Mount

UV-stabilised rota moulded polyethylene with aluminium legs with adjustable leg mounts to angle the board.

- Each leg will fit standard rod holders with 40mm internal diameter.
- Super tough surface resists cuts and abrasions without dulling knife edge.

**JPW5111**

*Bait Board Rail Mount Adapter suits 25mm Rail*



### Standard Small - 520 x 340mm

- Full width run-off tray.
- Cutting area: 450 x 225mm



Part No.	Legs	Leg Length (mm)	Mounting Width (mm)
JPW5052	Single	340	-
JPW5053	Twin	340	400

### Deluxe Small with 2x Rod Holders - 665 x 340mm

- Full width run-off tray.
- Cutting area: 515 x 340mm



Part No.	Leg Length (mm)	Mounting Width (mm)
JPW5054	350	440

### Standard Medium - 650 x 440mm

- 4 recessed compartments and run off tray.
- Cutting area: 350 x 310mm



Part No.	Leg Length (mm)	Mounting Width (mm)
JPW5061	340	570

### Deluxe Medium with 2x Rod Holders - 815 x 440mm

- 4 recessed compartments and run off tray.
- Cutting area: 670 x 440mm



Part No.	Leg Length (mm)	Mounting Width (mm)
JPW5064	350	85 - 570

### Deluxe Medium - 650 x 440mm

- 4 recessed compartments and run off tray.
- Cutting area: 350 x 310mm



Part No.	Leg Length (mm)	Mounting Width (mm)
JPW5063	340	570

### Deluxe Large with 2x Rod Holders - 1020 x 500mm

- 4 recessed compartments and run off tray.
- Cutting area: 870 x 500mm



Part No.	Leg Length (mm)	Mounting Width (mm)
JPW5074	350	85 x 780



### Bait Boards - Rail Mount or Rod Holder Mount

UV-stabilised injection moulded polyethylene bait board with either rail mount bracket/s or anodised aluminium leg/s for rod holder mounting.

- The tray features two recessed compartments and a run-off tray.
- The brackets on the underside are adjustable to balance the angle of the board.
- Mount types can be interchangeable for multiple mounting locations - spare mounts purchased separately.

#### Small - 515 x 355mm

- Cutting area: 500 x 275mm
- Fish measurement rule 0 - 45cm

Part No.	Mount Type	Leg Length (mm)
JPW5040	1 x Rail Mount Bracket	-
JPW5041	1 x Rod Holder Leg	520



#### Large - 720 x 475mm

- Cutting area: 705 x 370mm.
- Fish measurement rule 0 - 60cm.

Part No.	Mount Type	Leg Length (mm)	Mounting Width (mm)
JPW5042	2 x Rail Mount Brackets	-	225 - 635
JPW5043	2 x Rod Holder Legs	520	225 - 635



#### Large with 2x Rod Holders - 720 x 475mm

- Cutting area: 705 x 370mm.
- Fish measurement rule 0 - 60cm.

Part No.	Mount Type	Leg Length (mm)	Mounting Width (mm)
JPW5044	2 x Rod Holder Legs	520	225 - 635



#### Large Stainless Steel with 4x Rod Holders - 720 x 475mm

- 316-grade stainless steel frame with heavy duty welds.
- Cutting board: 720 x 475mm
- Cutting area: 705 x 370mm
- Fish measurement rule 0 - 60cm.

Part No.	Mount Type	Leg Length (mm)	Mounting Width (mm)
JPW5045	2 x Rod Holder Legs	520	225 - 635



#### Bait Board - Spare Parts

Part No.	Description
JPW5046	Replacement Rod Holder
JPW5047	Replacement Tri Head Bolt with 8mm Nut
JPW5048	Replacement Tapered Collar
JPW5049	Replacement Complete Leg
JPW5050	Replacement Rail Mount Bracket suit 25mm Rails
JPW5051	Replacement Bottom Bracket
JPW5110	Replacement Pivot for Bait Board Leg



**Bait Boards Standard 1 Leg Rod Holder Mount**

Standard size bait board with an angle adjustable and removable leg that slots into standard vertical rod holders. The cutting board has no pre-drilled holes for the leg mount - fix at any position.

- Rod holder leg outside diameter: 36mm
- PE plastic one piece cutting board.
- Cutting area: 585 x 385mm



Part No.	Mount Type	Leg Length (mm)
JPW5070	Rod Holder	400

**Bait Boards Heavy Duty Small 1 Leg - Rail or Rod Holder Mount**

Small heavy duty bait board with two angle adjustable and removable legs. Along the side of the tray are 3 knife slots, to secure them safely in place when not in use.

- Rod holder leg outside diameter: 36mm / Rail mounts suit 25mm diameter rails.
- PE plastic cutting board with 2 recessed compartments & full width run-off tray.
- Fish measurement rule (0cm - 40cm).
- Overall (LxWxH): 450 x 370 x 540mm
- Cutting area: 420 x 220mm



JPW5073



JPW5073



JPW5075



JPW5075

Part No.	Mount Type	Leg Length (mm)
JPW5073	Rod Holder	430
JPW5075	Rail Mount	250

**Bait Boards Heavy Duty Large 2 Legs - Rail or Rod Holder Mount**

Large heavy duty bait board with two angle adjustable and removable legs. The full width run-off tray features a drain (hole requires cut out) to suit 19mm hose.

- Rod holder leg outside diameter: 36mm / Rail mounts suit 25mm diameter rails.
- PE plastic cutting board with 3 recessed compartments & full width run-off tray.
- Fish measurement rule. (0cm - 60cm).
- Overall (LxWxH): 700 x 420 x 440mm
- Cutting area: 680 x 280mm



JPW5071



JPW5071



JPW5072



JPW5072

Part No.	Mount Type	Leg Length (mm)	Mounting Width (mm)
JPW5071	Rod Holder	520	270 - 585
JPW5072	Rail Mount	250	270 - 585

### Bait Board Stainless Steel Frame with 4 Rod Holders

Bait board frame manufactured from 304-grade stainless steel, with four rod holders and two angle adjustable and removable legs that slot into standard vertical rod holders.

- Rod holder leg outside diameter: 40mm
- Solid construction with heavy duty welds.
- Removable PE plastic cutting board with high sides.
- 4 stainless steel rod holders (shaft dia: 41mm).
- 2 adjustable legs, rod holder mount.



Part No.	Overall L x W x H (mm)	Cutting Area L x W (mm)	Mounting Width (mm)
JPW5068	625 x 510 x 600	560 x 370	265 - 420

### Bait Board Stainless Steel Frame with Sink and 4 Rod Holders

Bait board frame manufactured from 304-grade stainless steel, with four rod holders and two angle adjustable and removable legs that slot into standard vertical rod holders. The hard wearing PE plastic cutting board can also be removed for easy cleaning and includes a recessed sink and drain hole.

- Cutting board with in-built sink and pre-drilled drain hole (suits 32mm hose).
- Solid construction with heavy duty welds.
- 4 stainless steel rod holders (shaft dia: 41mm).
- 2 adjustable legs, rod holder mount.



Part No.	Overall L x W x H (mm)	Cutting Area L x W (mm)	Mounting Width (mm)
JPW5069	755 x 310 x 355	440 x 260	520

### Portable Camping Table with Sink and Faucet

Multi-purpose portable table, perfect for boating, fishing, camping or in the back yard. Features an in-built sink with removable water faucet & drainage hose.

- Made from High Density Polyethylene (HDPE5502).
- Connect the tap up to a standard garden hose to provide freshwater.
- Easily empty the sink into a bucket or flood drain via the drain hose.
- Sturdy frame with foldable legs that folds flat under table top.
- Includes tap, hose, drain hose, rubber drain plug and required fittings.

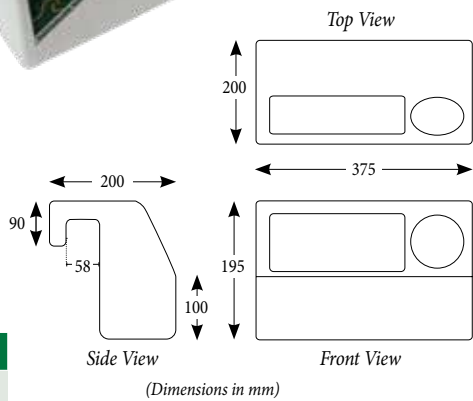


Part No.	Overall L x W x H (mm)	Sink L x W x H (mm)
JPW3636	1150 x 590 x 860	400 x 270 x 65

### Bait Box Storage Bin Small

Designed to clip over most dinghy's or tinny gunwales, this box is the ideal addition to while fishing to store those hard to keep tidy fishing rigs.

- UV stabilised polyethylene.
- Large open storage compartment and recessed drink holder.

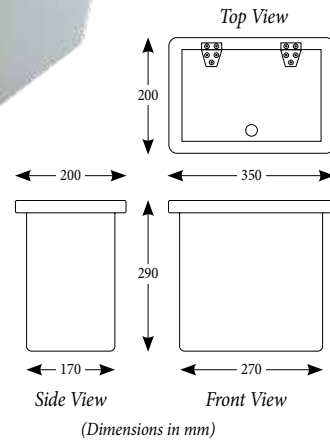


Part No.  
JPW5090

### Fish Storage Box

Ideal fishing accessory to store the catch of the day out on the water.

- Two strong plastic hinges and large finger hole in lid for easy opening.
- UV stabilised polyethylene.



Part No.  
JPW5092

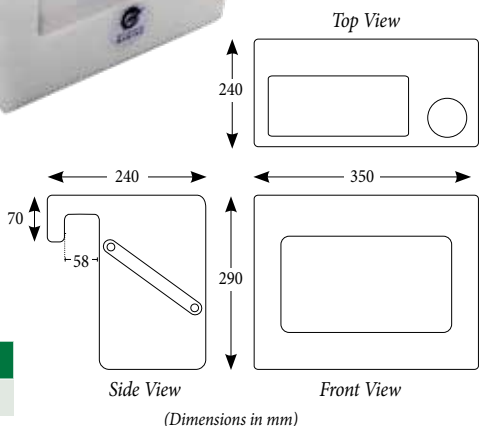
### Bait Box Storage Bin Deluxe

Deluxe bait box bin storage, perfect for bait storage and organising your fishing accessories.

- UV stabilised polyethylene.
- Clips over most tinny or dinghy gunwales.
- Large open storage compartment at the front and two recessed compartments on the top.



Includes knife storage

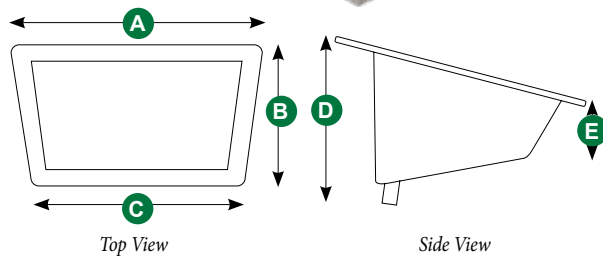


Part No.  
JPW5091

### Plastic Anchor Wells

Made from UV stabilised polyethylene, these anchor wells are used to tidy away your anchor and chain, and ensure that they are always ready for use.

- Surface resists cuts and abrasions.
- Reinforced lip for mounting.
- Two 20mm drainage holes.



Part No.	Dimensions (mm)				
	A	B	C	D	E
JPW5098	585	375	360	253	100
JPW5099	800	500	490	305	150

### Viper Pro Series Fibreglass Seat Base with Tackle Locker



Seat base made from high grade fibreglass finished in a gloss white gel-coat, fitted with 316-grade polished stainless steel tackle locker.

- Includes 7 storage boxes (2 large, 5 small).
- Left or right hand opening door with pull handle and key-lock.



Part No.	Dimensions H x W x D (mm)
JPW3042	475 x 485 x 485

### Stainless Steel Berley Muncher



Fully welded, finished and polished by hand.

- Extra sharp teeth has no issues cutting through frozen fish.



Part No.	Length (mm)
JPW12897	175

### Aluminium Berley Muncher

Berley bucket muncher made from aluminium and designed to be used with marlin board or transom mount berley buckets.



Part No.	Length (mm)
JPW5085	700

### Plastic D-Shaped Berley Bucket

Super tough UV-stabilised polyethylene rota moulded plastic.

- Resistant to sun and salt water.
- 100% Australian-made for harsh marine conditions.



Part No.	Dimensions H x W x D (mm)
JPW5082	440 x 190 x 200

### Galvanised Bucket

11L Galvanised bucket

- Use as safety equipment for putting out fires or as a bailer.



Part No.
JPW1113

### PVC Collapsible Bucket with Carry Bag

Collapsible 11L blue bucket made of PVC waterproof fabric with plastic base and ring, and wire handle.

- Light weight, fast drying and durable.
- Foldable leak-proof design.
- Includes storage bag.



Part No.
JPW5136

### Transom Mounted Berley Bucket



This stainless steel transom-mounted berley bucket is height-adjustable and conveniently removable.

- Hand-made and hand-polished.
- Includes a two-way mounting bracket for attachment.



Part No.	Dimensions H x D (mm)
JPW12894	400 x 150

### Transom Mounted Berley Bucket 'D' Shape



The 316-grade stainless steel 'D' shaped berley bucket has been designed to fit where most traditional buckets won't, with only two fixing points required.

- Hand polished to a mirror finish.
- Supplied with 2x stainless steel screws.



Part No.	Dimensions H x W x D (mm)
JPW12895	400 x 185 x 110

### Polystyrene Floats

Constructed from high density white polystyrene with a pre-drilled hole for rope.

- Crab floats have a groove in the center for rope storage.
- Use as marker buoys or mooring floats.

Part No.	Type	Diameter (mm)	Hole Size (mm)
JPW4021	Crab	100	25
JPW4022	Crab	150	25
JPW4025	Round	100	12
JPW4026	Round	150	25
JPW4027	Round	200	25
JPW4029	Round	250	25
JPW4030	Round	300	25



## Viper X-Treme Telescopic Outrigger Bundles

Viper Outrigger bases are fitted with heavy duty commercial stainless steel bearings to ensure smooth operation and the outrigger poles are also spring loaded for ease of use. The bases are removable when not in use and easy to store in the carry case. The side mount model comes supplied with side mount bases, whereas the deck mount model has removable bases with rain caps.

- Matte black UV stabilized 3 stage telescopic outrigger poles
- 8mm cast 316-grade stainless steel, hand polished bases.
- Outrigger poles feature spring loaded stainless steel locking pins
- 180 Degree rotation bow to stern
- 90 Degree vertical sky to water adjustment.
- Length Extended: 4.876m
- Length Retracted: 2m
- Takes 41mm poles
- Base:  $\varnothing$  88mm
- Cut-out:  $\varnothing$  51mm

### Bundle includes:

- Telescopic 3 stage 4.8m outrigger poles.
- Side or deck mount bases.
- Line kit.
- Stainless tag return weights.
- Quick release clips.
- Bungee cords with stainless clips and pulleys.
- Stainless sandwich plates.
- Stainless mounting hardware.
- Foam filled silver carry case.

Part No.	Type
JPW12806	Deck Mount
JPW12807	Side Mount



**JPW12806**  
Base Mount



**JPW12807**  
Side Mount

## Quick TB2 Tumbler Capstan Cray Pot Hauler Winch

This high-quality Italian-made winch is the ideal companion for effortless craypot or heavy line haulage retrieval. It has a vertical capstan and horizontal-mounted motor and gear box which can be hidden out of sight under the gunwale or front deck, depending on requirements.

- Vertical capstan with horizontal motor and gearbox.
- Concealed under deck or gunwale, mount at 90/45° angles.
- Capstan and base crafted from AISI 316 stainless steel.
- Technopolymer corrosion resistant gearbox.
- Includes base gasket, clutch handle, mounting hardware, drill template, user manual, conditions of warranty and 10mm plastic spacer.

\*Does not include: Circuit breaker 60amp (required) or switch.

\*For forward/reverse operation: Solenoid and switch is required.

See Section 2: Anchor Winches & Accessories.



### Recommended Accessories:



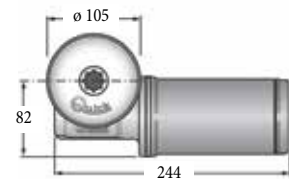
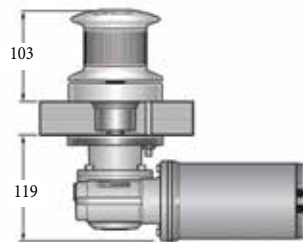
**JPW6190**  
Deck Foot Switch  
Black Up



**QFTT641512000B00**  
Reversing Solenoid  
Double Pole 150Amp



**QFDWCB0600000A00**  
Circuit Breaker  
WCB 60Amp



(Dimensions in mm)

Part No.	Model	Watts	Amps Under Load	Voltage	Max. Pull	Max. Working Load	Max. Speed @ Working Load	Circuit Breaker Supplied	Deck Thickness
QFSTB0512000XB01	TB2	500W	80A	12v	660kg	200kg	19m/min	60A	25 - 50



### Quick Totem Series TM3 Vertical Capstan Windlass

A rope-only winch that allows for easy installation, suitable for general line hauling applications on larger boats. Suitable for vertical or horizontal mounting this windlass mounts easily in any deck thickness (stud dependent).

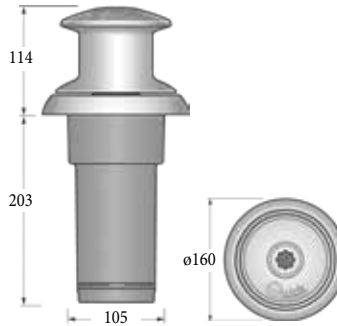
- AISI 316-grade stainless steel base.
- Patented epicyclic gearbox allows higher performance of the motor.
- Circuit breaker and contactor supplied with winch.
- Permanent magnet motor for greater output and reduced power consumption.
- Clutch release and manual lift handle.
- Includes reversing contactor unit, base gasket, handle, mounting hardware, drill template, user manual and conditions of warranty.



\*Does not include: Switch.  
See Section 2: Anchor Winches & Accessories.



**JPW6190**  
Recommended Deck  
Foot Switch Black Up



(Dimensions in mm)

Part No.	Model	Watts	Amps Under Load	Voltage	Max. Pull	Max. Working Load	Max. Speed @ Working Load	Circuit Breaker Supplied	Deck Thickness
QFSTM30600120B00	TM3 600	500W	40A	12v	620kg	200kg	16.3m/min	50A	20-30mm
QFSTM31001200A02	TM3 1000	800W	80A	12v	820kg	290kg	16.8m/min	80A	20-30mm
QFSTM31002400A02	TM3 1100	800W	40A	24v	820kg	290kg	16.8m/min	40A	20-30mm

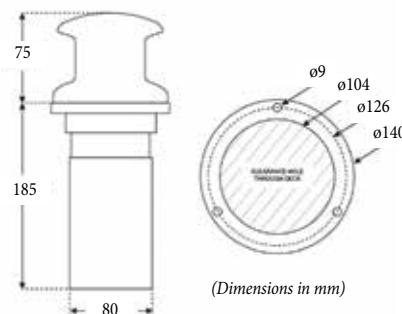
### Vertical Capstan Cray Pot Hauler Winch 12V 900W

Innovative vertical design allows for easy installation, hiding the motor under the deck for a sleek appearance, perfect for boats with limited deck space. Equipped with a robust motor and durable 316-grade stainless steel head which will endure the most toughest of conditions.

- All in one kit a sleek and seamless looking pot hauler.
- Marine grade hard anodised and sealed aluminium epicyclic gearbox.
- Smooth and silent operation.
- Auto action roller clutch break (will not run back).



Deck switch & circuit breaker supplied



(Dimensions in mm)



Part No.	Watts	Amps Under Load	Voltage	Circuit Breaker Supplied
JPW6182	900W	50A	12v	80A

# HOW TO ORDER

Select products from the catalogue or through our website using the product categories or search function. Make note of the part numbers to facilitate ordering.

## ONLINE



Login to our website  
with your customer username & password.

[www.jpwmarine.com.au](http://www.jpwmarine.com.au)

If you know our product codes, use the  
'Quick Order' form for a speedy checkout.

## PHONE



Call us during standard  
Western Australian business hours on

**(08) 6253 3000**

to place order by phone.

## EMAIL



Email your order to

[orders@jpwmarine.com.au](mailto:orders@jpwmarine.com.au)



# JPW MARINE

WHOLESALE MARINE SPECIALISTS